

10 YEAR WARRANTY!

Fundamentals EX / LX Electric Base Sets

All Fundamentals EX and LX Base Sets include a Frame Set (legs, brackets, motor(s) and cables), a Flat Foot Kit and Programmable Switch. Fundamentals EX/LX are designed to provide exceptional quality at an affordable price. Fundamentals EX/LX feature integrated computerized control and are two of the most energy efficient tables in the industry, using less than one dollar of electricity per year on average. The Frame Sets are designed to easily accommodate both 24" and 30" deep worksurfaces with equipment payloads up to 125 pounds.

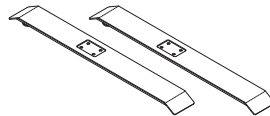
Specifications:

- Frame options: 2-leg and 3-leg frames
- 24" or 30" depths
- Widths from 30" to 72" depending on shape
- Finish options: silver, black, and white
- Payload capacity: 125 pounds for 2-leg models
200 pounds for 3-leg models
- Travel speed: 1.6 inches per second
- Max power draw: 120V, 60 Hz, 1.2 A for 2-Leg; 4.25 A for 3-Leg
- Standby power: 0.1 W
- Meets BIFMA X5.5 standards for performance and durability
- Workrite Fundamentals EX/LX has achieved GREENGUARD GOLD Certification

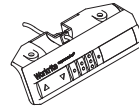


Included with each Base Set:

- Foot included: Flat Foot Kit
- Control: Programmable Switch



Flat Foot Kit

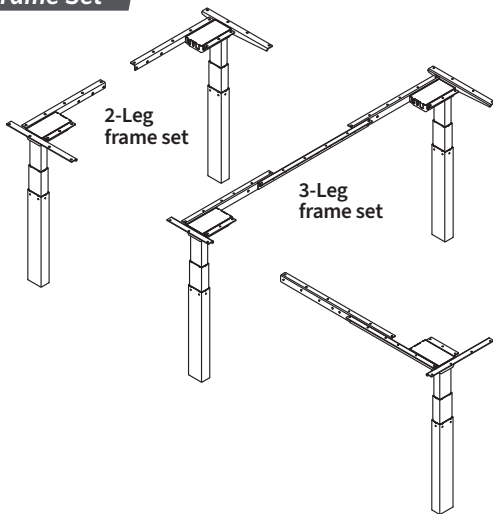


Programmable Switch

Options sold separately:

- Laminated Worksurfaces: Any laminate and edge treatment in the Workrite program
- Workrite Frame Sets can also be used with existing worksurfaces or new worksurfaces from other manufacturers

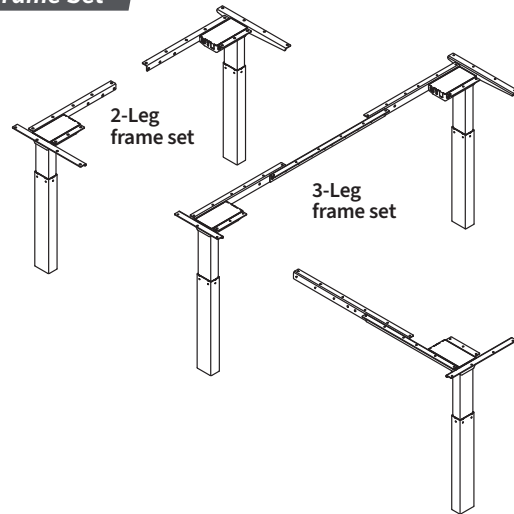
EX Frame Set



Available in 3 finish colors with
3-stage legs

Height range: 22.5" to 48.7" for full
BIFMA G1-2013 compliance

LX Frame Set



Available in 3 finish colors with
2-stage legs

Height range: 27.5" to 47.2"